

## RT70 Philippines X-Series Service Parts (LHD / 4x2 HR / CREW / RBD)

FIG	KEY	NAME	P/NO	HAND	QTY	MT	AT	Remark
430	003	WHEEL; STRG	8-97423-895-0		1	●	●	
430	054	CLIP; HARNESS	8-98165-703-0		1	●	●	
430	083	SCREW; LWR COVER TO WHEEL	0-71240-410-0		2	●	●	
430	090	COVER ASM; STRG WHEEL,LWR	8-97416-856-1		1	●	●	
430	100	HARNESS; STRG WHEEL	8-98108-695-0		1	●	●	
430	102	SWITCH ASM; AUDIO CONT,STRG WHEEL	8-98108-690-0		1	●	●	
430	103	BEZEL; COVER,SWITCH HOLE	8-97416-857-1		1	●	●	
430	104	SCREW; SWITCH AND BEZEL	0-71240-410-0		4	●	●	
480	002	WHEEL; DISC	8-98218-149-0		1	●	●	
480	006	CAP; WHEEL	8-98214-687-0		4	●	●	
480	022	WHEEL; DISC,AL	8-98218-158-0		1	●	●	
603	001	GRILLE; RAD	8-98196-514-1		1	●	●	PRIMER
603	003	CLIP; GRILLE	8-98211-687-0		3	●	●	
603	009	SCREW; RAD GRILLE	8-98193-872-0		12	●	●	
603	178	GRILLE; INNER,RAD	8-98193-871-0		1	●	●	
635	006	TRIM; DOOR,UPR	8-97425-716-1	L	1	●	●	
635	051	WEATHERSTRIP; FRONT DOOR	8-98109-545-3	L	1	●	●	
635	083	CLIP; DOOR TRIM	8-98160-729-0	L	8	●	●	
635	083	CLIP; DOOR TRIM	8-98166-326-0	L	1	●	●	
635	231	COVER; HOLDER,BOLT	8-97416-610-0	L	1	●	●	
635	006	TRIM; DOOR,UPR	8-97425-717-1	R	1	●	●	
635	051	WEATHERSTRIP; FRONT DOOR	8-98109-544-3	R	1	●	●	
635	083	CLIP; DOOR TRIM	8-98160-729-0	R	8	●	●	
635	083	CLIP; DOOR TRIM	8-98166-326-0	R	1	●	●	
635	231	COVER; HOLDER,BOLT	8-97416-610-0	R	1	●	●	
643	039	COVER; TRIM,CENTER PILLAR	8-97423-935-2	L	1	●	●	
643	052	COVER; TRIM,FRT PILLAR	8-97423-945-2	L	1	●	●	
643	078	CLIP; TRIM PAD,SIDE PANEL	8-97351-983-0	L	2	●	●	
643	039	COVER; TRIM,CENTER PILLAR	8-97423-936-2	R	1	●	●	
643	052	COVER; TRIM,FRT PILLAR	8-97423-925-2	R	1	●	●	
643	078	CLIP; TRIM PAD,SIDE PANEL	8-97351-983-0	R	2	●	●	
655	001	PAD; TRIM,RR DOOR	8-97423-976-4	L	1	●	●	
655	003	WEATHERSTRIP; RR DOOR	8-98109-547-2	L	1	●	●	
655	006	CLIP; DOOR PAD	8-98160-729-0	L	7	●	●	
655	094	COVER; HOLDER,BOLT	8-97416-610-0	L	1	●	●	
655	001	PAD; TRIM,RR DOOR	8-97423-975-4	R	1	●	●	
655	003	WEATHERSTRIP; RR DOOR	8-98109-546-2	R	1	●	●	
655	006	CLIP; DOOR PAD	8-98160-729-0	R	7	●	●	
655	094	COVER; HOLDER,BOLT	8-97416-610-0	R	1	●	●	
666	001	LINING; HD	8-97423-930-5		1	●	●	
666	220	BRACKET; SPEAKER	8-98128-570-0		2	●	●	
675	176	RETAINER; CARPET	8-97416-667-0		2	●	●	

## RT70 Philippines X-Series Service Parts (LHD / 4x2 HR / CREW / RBD)

FIG	KEY	NAME	P/NO	HAND	QTY	MT	AT	Remark
701	004	EMBLEM; RAD GRILLE	8-98214-587-0		1	●	●	
740	731	GRILLE; VENTILATOR	8-97423-921-4	L	1	●	●	
740	731	GRILLE; VENTILATOR	8-97423-920-4	R	1	●	●	
743	023	SUN VISOR	8-97429-208-2	L	1	●	●	
743	023	SUN VISOR	8-97429-207-4	R	1	●	●	
743	059	COVER; ASSIST GRIP	8-97423-934-0		2	●	●	
743	090	GRIP; ASSIST,ROOF	8-97423-933-1	L	1	●	●	(B)
743	090	GRIP; ASSIST,ROOF	8-97423-932-1	R	1	●	●	(B)
743	090	GRIP; ASSIST,ROOF	8-97423-931-3		1	●	●	(B)
743	090	GRIP; ASSIST,ROOF	8-97423-931-3		2	●	●	(A)
743	348	RETAINER; SUNSHADE	8-97423-949-0		2	●	●	
743	349	CLIP; RETAINER SUNSHADE	8-98039-903-0		2	●	●	
745	002	CONSOLE; CENTER	8-97427-533-0		1	●	●	
745	011	HINGE; CONSOLE LID	8-97423-090-0		1	●	●	
745	016	KNOB ASM	8-97423-947-0		1	●	●	
745	049	SCREW; CONSOLE	8-98197-847-0		6	●	●	(A)
745	049	SCREW; CONSOLE	8-98234-823-0		2	●	●	(B)
745	050	CLIP; CONSOLE	8-98192-891-0		2	●	●	
745	064	BEZEL; CENTER CONSOLE	8-97423-093-3		1	●	●	
745	074	BULB; CONSOLE	8-94124-595-0		2	●	●	
745	107	LOCK; LID,RR CONSOLE	8-97423-089-0		1	●	●	
745	155	LID; PARCEL BOX	8-97423-094-1		1	●	●	
745	188	CONSOLE; RR	8-97423-086-3		1	●	●	
745	217	CONSOLE; HEADER	8-97423-928-5		1	●	●	
745	237	LENS; HEADER CONSOLE	8-98192-893-0		1	●	●	(A)
745	237	LENS; HEADER CONSOLE	8-98192-894-0		1	●	●	(B)
745	249	COVER	8-97423-942-2		1	●		(A)
745	249	COVER	8-97423-944-1		1		●	(B)
745	301	BEZEL; CONSOLE	8-97423-091-2		1	●	●	
745	372	HARNES ASM; SWITCH,HEADER CONSOLE	8-98192-890-0		1	●	●	

## RT70 Philippines X-Series Service Parts (LHD / 4x2 HR / CREW / RBD)

FIG	KEY	NAME	P/NO	HAND	QTY	MT	AT	Remark
750	002	COVER; TRIM,FRT SEAT,BACK	8-97423-984-0	L	1	●	●	
750	003	PAD; FRT SEAT BACK	8-98187-526-0	L	1	●	●	
750	004	FRAME ASM; FRT SEAT	8-98187-534-0	L	1	●	●	
750	009	COVER; SIDE	8-97428-374-0	L	1	●	●	(B) OUTER
750	009	COVER; SIDE	8-97428-376-0	L	1	●	●	(A) INNER
750	011	WIRE; SEAT BACK	8-98220-094-0	L	1	●	●	
750	013	COVER; TRIM,FRT SEAT,CUSHION	8-97429-443-0	L	1	●	●	
750	014	PAD; FRT SEAT CUSHION	8-98187-560-0	L	1	●	●	
750	015	FRAME; CUSHION,FRT SEAT	8-98231-281-1	L	1	●	●	
750	017	BOLT; RECLINING	8-98220-045-0	L	4	●	●	
750	018	COVER; RECLINING	8-97424-096-0	L	1	●	●	(A)
750	018	COVER; RECLINING	8-97424-515-0	L	1	●	●	(D)
750	018	COVER; RECLINING	8-97424-516-0	L	1	●	●	(C)
750	018	COVER; RECLINING	8-97424-517-0	L	1	●	●	(B)
750	020	CAP; RECLINING ADJ	8-97424-600-0	L	1	●	●	
750	024	KNOB; RECLINING,FRT,SEAT	8-97424-518-0	L	1	●	●	(B)
750	024	KNOB; RECLINING,FRT,SEAT	8-97424-597-0	L	1	●	●	(A)
750	027	REST; HD,FRT SEAT	8-97424-645-0	L	1	●	●	
750	028	HOLDER; GUIDE,HD REST	8-97424-499-0	L	1	●	●	
750	028	HOLDER; GUIDE,HD REST	8-97424-500-0	L	1	●	●	
750	063	ADJUSTER; SEAT SLIDE	8-98220-097-1	L	1	●	●	
750	063	ADJUSTER; SEAT SLIDE	8-98231-283-1	L	1	●	●	
750	078	RING; SNAP	8-98220-068-0	L	7	●	●	
750	078	RING; SNAP	8-98220-068-0	L	10	●	●	
750	123	SCREW; COVER,RECLINING	8-98220-085-0	L	2	●	●	(A)
750	123	SCREW; COVER,RECLINING	8-98220-086-0	L	5	●	●	(B)
750	228	SCREW; KNOB	8-98224-268-0	L	3	●	●	
750	239	HANDLE; SIDE SUPPORT,FRT SEAT	8-98220-104-0	L	1	●	●	
750	306	NUT; SEAT ADJ	8-98220-087-0	L	7	●	●	
750	654	HOOK; STOPPER	8-97424-637-0	L	1	●	●	
750	655	BOLT; HOOK	8-98224-171-0	L	1	●	●	
750	002	COVER; TRIM,FRT SEAT,BACK	8-97423-977-0	R	1	●	●	
750	003	PAD; FRT SEAT BACK	8-98187-525-0	R	1	●	●	
750	004	FRAME ASM; FRT SEAT	8-98187-533-0	R	1	●	●	
750	011	WIRE; SEAT BACK	8-98220-094-0	R	1	●	●	
750	013	COVER; TRIM,FRT SEAT,CUSHION	8-97423-978-0	R	1	●	●	
750	014	PAD; FRT SEAT CUSHION	8-98187-559-0	R	1	●	●	
750	015	FRAME; CUSHION,FRT SEAT	8-98187-567-2	R	1	●	●	
750	017	BOLT; RECLINING	8-98220-045-0	R	4	●	●	
750	018	COVER; RECLINING	8-97424-090-0	R	1	●	●	(A)
750	018	COVER; RECLINING	8-97424-579-0	R	1	●	●	(B)
750	018	COVER; RECLINING	8-97424-582-0	R	1	●	●	(D)
750	018	COVER; RECLINING	8-97424-585-0	R	1	●	●	(C)
750	024	KNOB; RECLINING,FRT,SEAT	8-97424-591-0	R	1	●	●	(C)
750	027	REST; HD,FRT SEAT	8-97424-645-0	R	1	●	●	
750	028	HOLDER; GUIDE,HD REST	8-97424-499-0	R	1	●	●	
750	028	HOLDER; GUIDE,HD REST	8-97424-500-0	R	1	●	●	
750	063	ADJUSTER; SEAT SLIDE	8-98224-186-1	R	1	●	●	
750	063	ADJUSTER; SEAT SLIDE	8-98224-187-1	R	1	●	●	
750	078	RING; SNAP	8-98220-068-0	R	7	●	●	
750	078	RING; SNAP	8-98220-068-0	R	10	●	●	
750	123	SCREW; COVER,RECLINING	8-98220-085-0	R	2	●	●	(A)
750	123	SCREW; COVER,RECLINING	8-98220-086-0	R	3	●	●	(B)
750	239	HANDLE; SIDE SUPPORT,FRT SEAT	8-98220-104-0	R	1	●	●	
750	306	NUT; SEAT ADJ	8-98220-087-0	R	7	●	●	

## RT70 Philippines X-Series Service Parts (LHD / 4x2 HR / CREW / RBD)

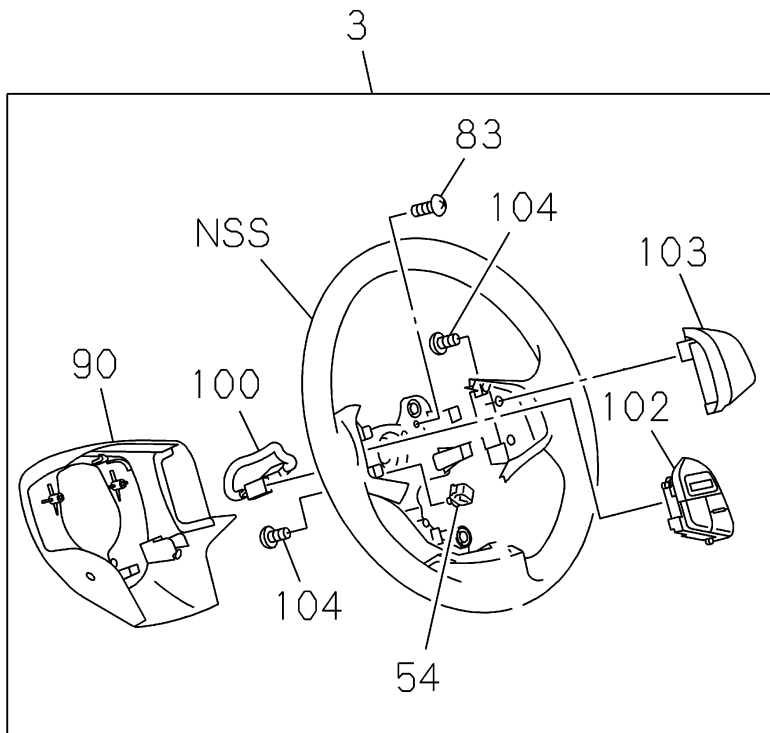
FIG	KEY	NAME	P/NO	HAND	QTY	MT	AT	Remark
755	003	COVER; TRIM,RR SEAT BACK	8-97429-470-0		1	●	●	
755	004	PAD; RR,SEAT BACK	8-98196-183-0		1	●	●	
755	005	FRAME ASM; RR SEAT BACK	8-97427-756-0		1	●	●	
755	009	COVER ASM; TRIM,RR,CUSHION	8-97423-987-0		1	●	●	
755	009	COVER ASM; TRIM,RR,CUSHION	8-97423-988-0		1	●	●	
755	010	PAD; CUSHION,RR SEAT	8-98196-198-0		1	●	●	
755	010	PAD; CUSHION,RR SEAT	8-98196-212-0		1	●	●	
755	011	FRAME ASM; CUSHION,RR SEAT	8-97427-776-0		1	●	●	
755	011	FRAME ASM; CUSHION,RR SEAT	8-97427-779-0		1	●	●	
755	017	REST; HD,RR SEAT	8-97424-691-0		2	●	●	(A)
755	017	REST; HD,RR SEAT	8-97424-692-0		1	●	●	(B)
755	029	RUBBER; RR SEAT	8-98224-609-0		2	●	●	(A)
755	029	RUBBER; RR SEAT	8-98224-621-0		4	●	●	(B)
755	100	REST; ARM,RR SEAT	8-97424-694-0		1	●	●	
755	206	BRACKET ASM; LEG,RR SEAT	8-98224-625-0		1	●	●	(A)
755	206	BRACKET ASM; LEG,RR SEAT	8-98224-695-0		1	●	●	(A)
755	206	BRACKET ASM; LEG,RR SEAT	8-98224-697-0		1	●	●	(B)
755	227	HOLDER; GUIDE,RR HD REST	8-97424-499-0		3	●	●	
755	227	HOLDER; GUIDE,RR HD REST	8-97424-500-0		3	●	●	
755	251	BUSHING; HINGE PIN	8-98224-622-0		1	●	●	(A)
755	251	BUSHING; HINGE PIN	8-98224-623-0		1	●	●	(B)
755	251	BUSHING; HINGE PIN	8-98224-624-0		2	●	●	(C)
755	276	NUT; ARM REST	8-98224-604-0		4	●	●	
755	281	SCREW	8-98224-611-0		2	●	●	(A)
755	281	SCREW	8-98233-169-0		4	●	●	(B)
755	286	COVER; HINGE	8-97424-699-0		1	●	●	(B)
755	286	COVER; HINGE	8-97424-700-0		1	●	●	(A)
755	286	COVER; HINGE	8-97424-700-0		1	●	●	(A)
755	286	COVER; HINGE	8-97424-700-0		1	●	●	(A)
755	299	BOLT; LEG	8-98224-698-0		2	●	●	
755	302	NUT; RR SEAT	8-98225-096-0		2	●	●	
755	317	RING; BACK,RR SEAT	8-98220-068-0		19	●	●	
755	317	RING; BACK,RR SEAT	8-98220-068-0		1	●	●	
755	317	RING; BACK,RR SEAT	8-98220-068-0		10	●	●	
755	317	RING; BACK,RR SEAT	8-98220-068-0		9	●	●	
760	003	BELT; SEAT,BUCKLE SIDE	8-97426-632-0	L	1	●	●	
760	003	BELT; SEAT,BUCKLE SIDE	8-97416-839-0	R	1	●	●	

## RT70 Philippines X-Series Service Parts (LHD / 4x2 HR / CREW / RBD)

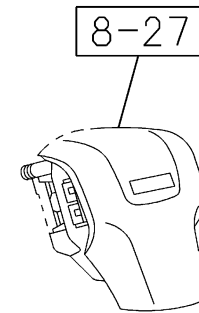
FIG	KEY	NAME	P/NO	HAND	QTY	MT	AT	Remark
803	001	LAMP ASM; RR COMB	8-98125-403-3	L	1	●	●	
803	005	BULB; RR COMB LAMP	8-94124-074-0	L	1	●	●	(B)
803	005	BULB; RR COMB LAMP	8-94125-959-0	L	1	●	●	(C)
803	005	BULB; RR COMB LAMP	8-97179-967-0	L	1	●	●	(A)
803	012	GROMMET; RR COMB LAMP	8-97349-413-0	L	2	●	●	
803	015	SCREW; RR COMB LAMP	8-97376-768-0	L	3	●	●	
803	031	BRACKET; RR COMB LAMP	8-98193-893-0	L	1	●	●	
803	228	CLIP; COVER,RR COMB LAMP	8-97376-769-0	L	1	●	●	
803	287	LAMP UNIT; RR COMB	8-98131-707-0	L	1	●	●	
803	298	CAP; BREATHER,RR COMB LAMP	8-97289-148-0	L	2	●	●	
803	307	CORD ASM; LAMP	8-98193-896-0	L	1	●	●	
803	001	LAMP ASM; RR COMB	8-98125-402-3	R	1	●	●	
803	005	BULB; RR COMB LAMP	8-94124-074-0	R	1	●	●	(B)
803	005	BULB; RR COMB LAMP	8-94125-959-0	R	1	●	●	(C)
803	005	BULB; RR COMB LAMP	8-97179-967-0	R	1	●	●	(A)
803	012	GROMMET; RR COMB LAMP	8-97349-413-0	R	2	●	●	
803	015	SCREW; RR COMB LAMP	8-97376-768-0	R	3	●	●	
803	031	BRACKET; RR COMB LAMP	8-98193-892-0	R	1	●	●	
803	228	CLIP; COVER,RR COMB LAMP	8-97376-769-0	R	1	●	●	
803	287	LAMP UNIT; RR COMB	8-98131-706-0	R	1	●	●	
803	298	CAP; BREATHER,RR COMB LAMP	8-97289-148-0	R	2	●	●	
803	307	CORD ASM; LAMP	8-98193-896-0	R	1	●	●	
805	001	LAMP ASM; ROOM	8-97423-972-0		1	●	●	
805	002	BULB; ROOM LAMP	8-97128-771-0		1	●	●	
805	003	LENS; ROOM LAMP	8-97333-429-0		1	●	●	
810	011	HARNES; BODY	8-98160-606-5		1	●	●	
827	023	AIR BAG UNIT	8-97423-893-2		1	●	●	

# 4-30 STEERING WHEEL AND COWL

FIG-NO.



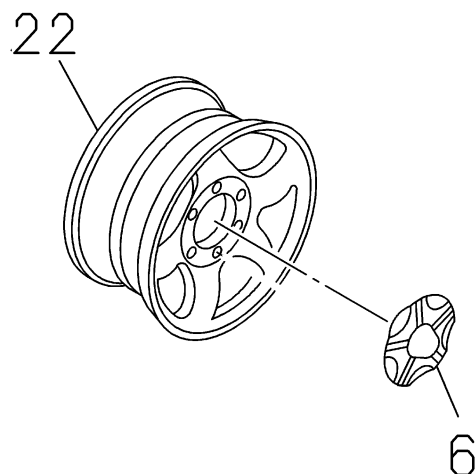
AIR BAG DRIVER & PASSENGER



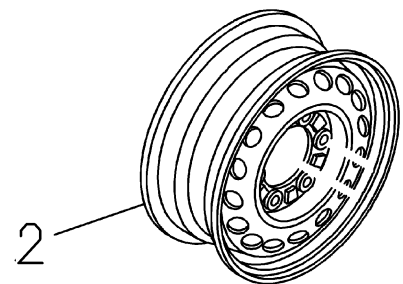
# 4-80 ROAD WHEEL

FIG-NO.

ALUMI WHEEL



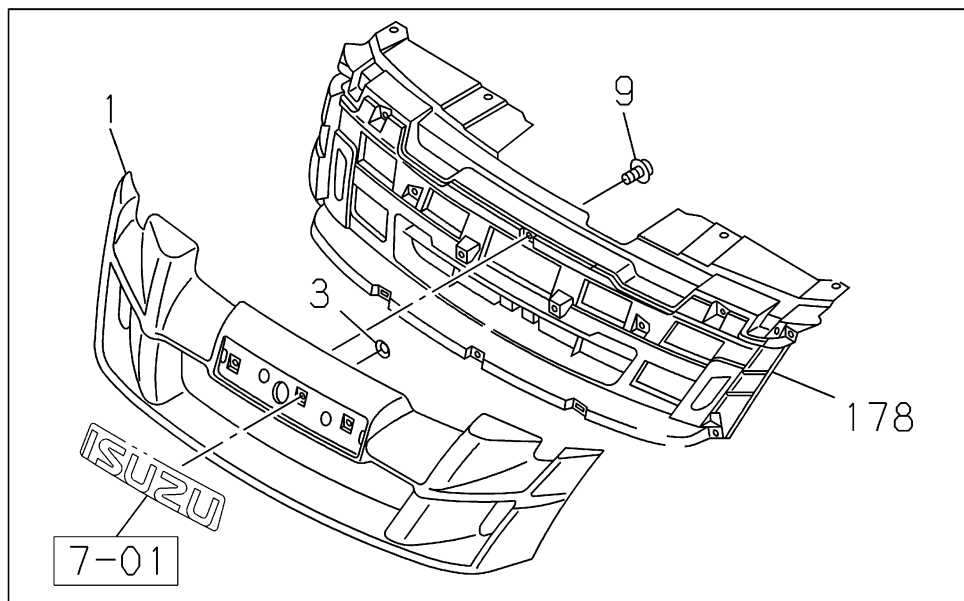
STEEL WHEEL



# 6-03 RADIATOR GRILLE

FIG-NO.

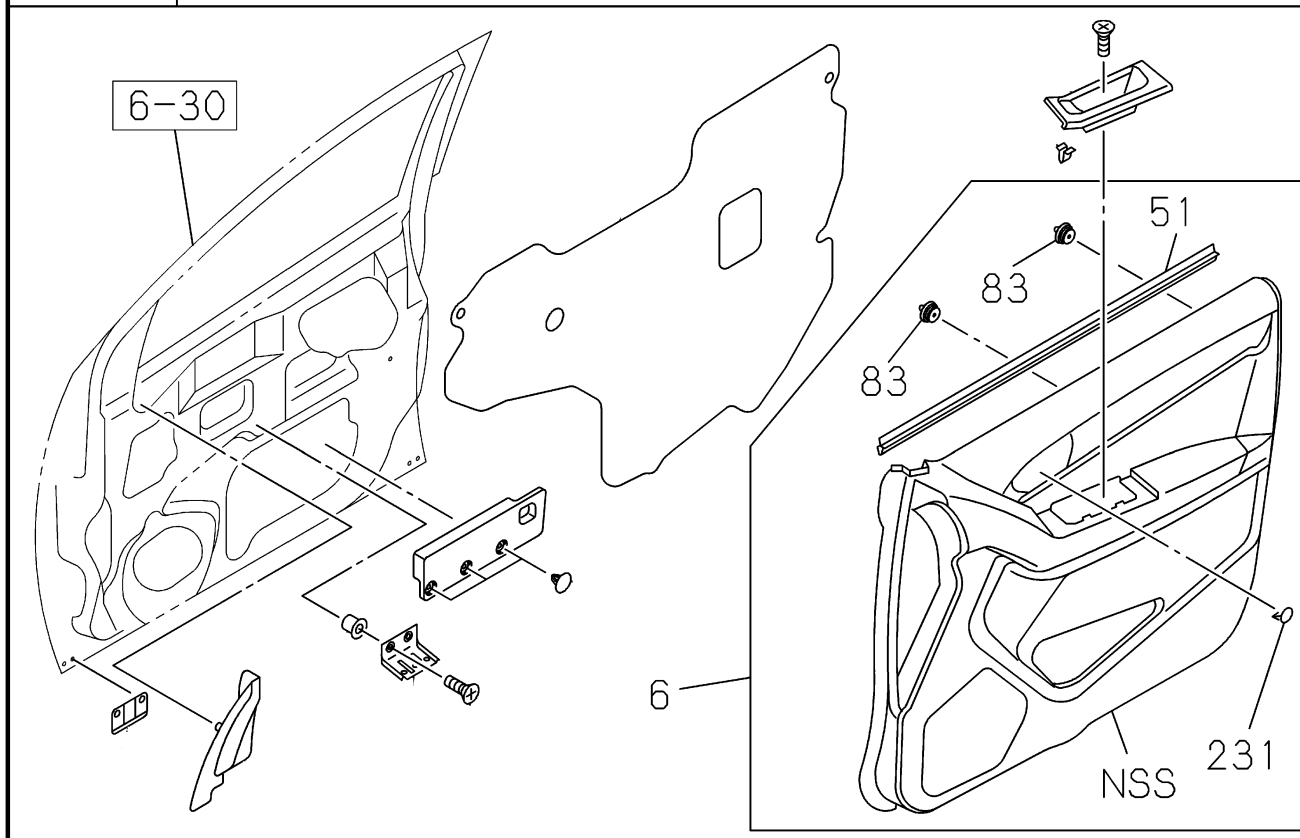
GRILLE



# 6-35 FRONT DOOR TRIM

FIG-NO.

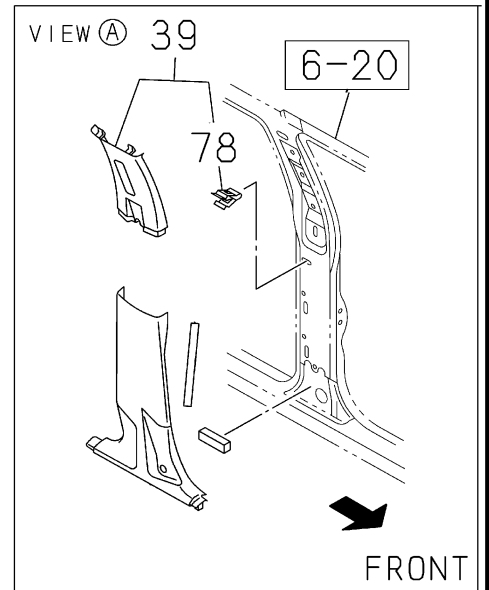
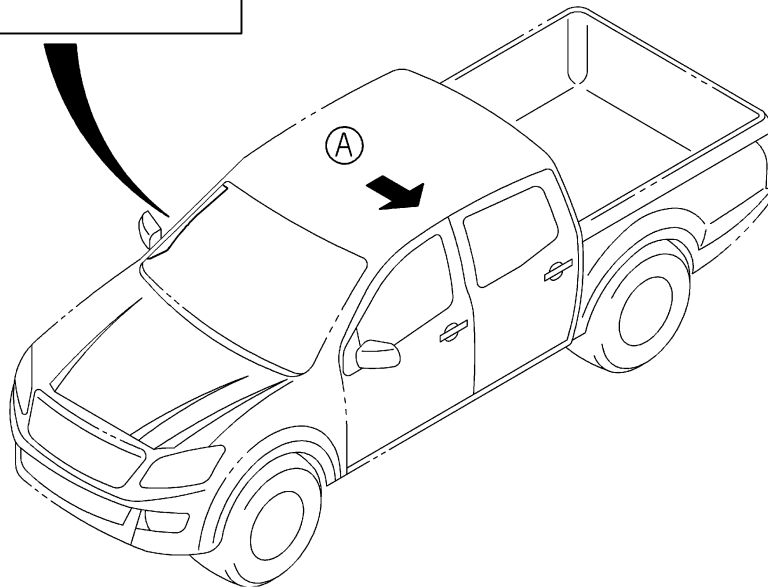
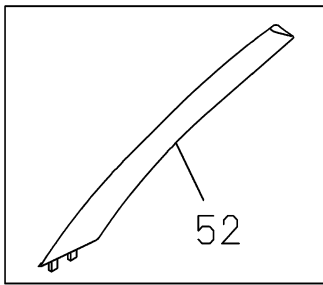
TRIM



# 6-43 SIDE TRIM

FIG-NO.

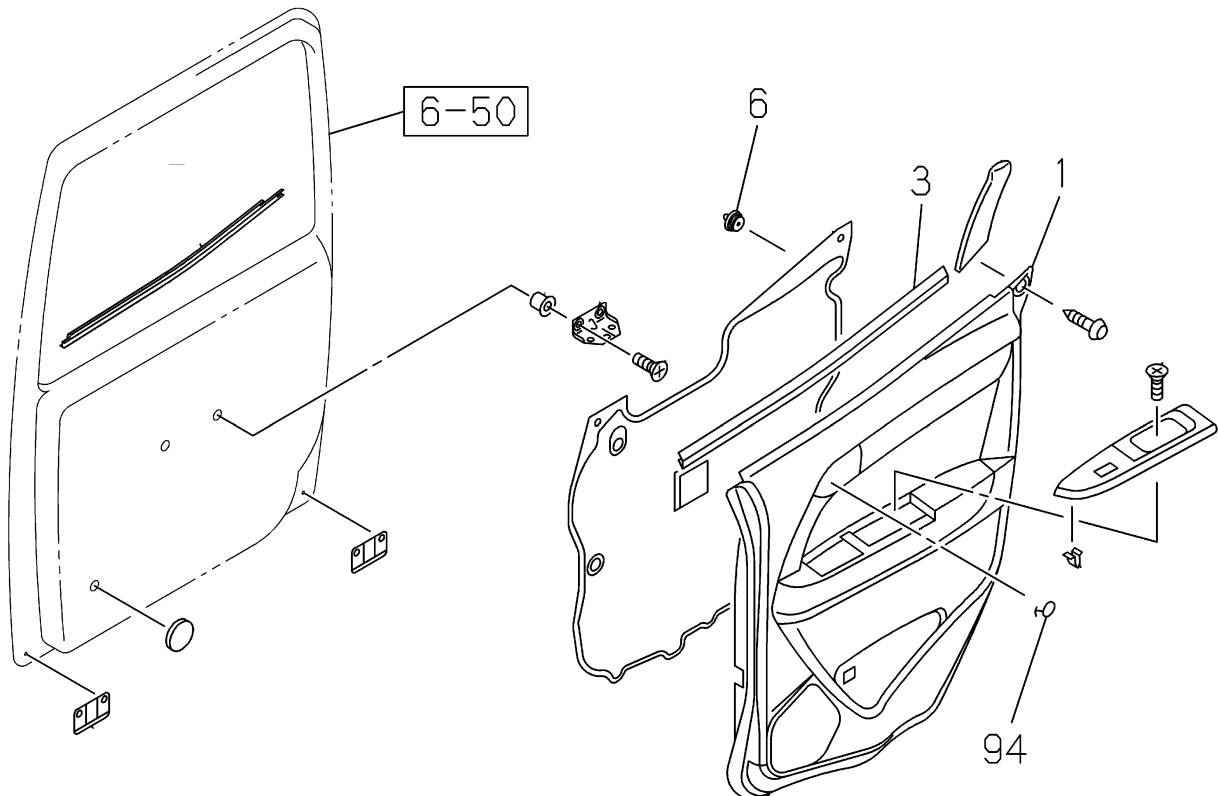
CREW CAB



# 6-55 REAR DOOR TRIM

FIG-NO.

TRIM; CREW CAB



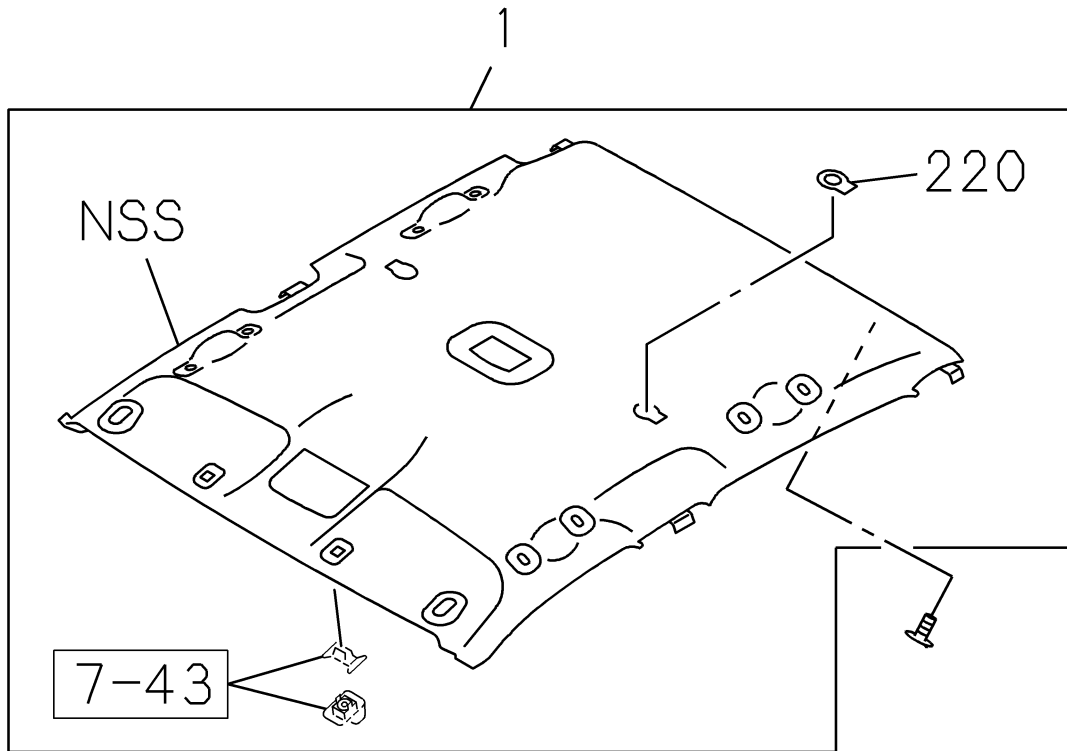


6-66

# HEAD LINING AND TRIM

FIG-NO.

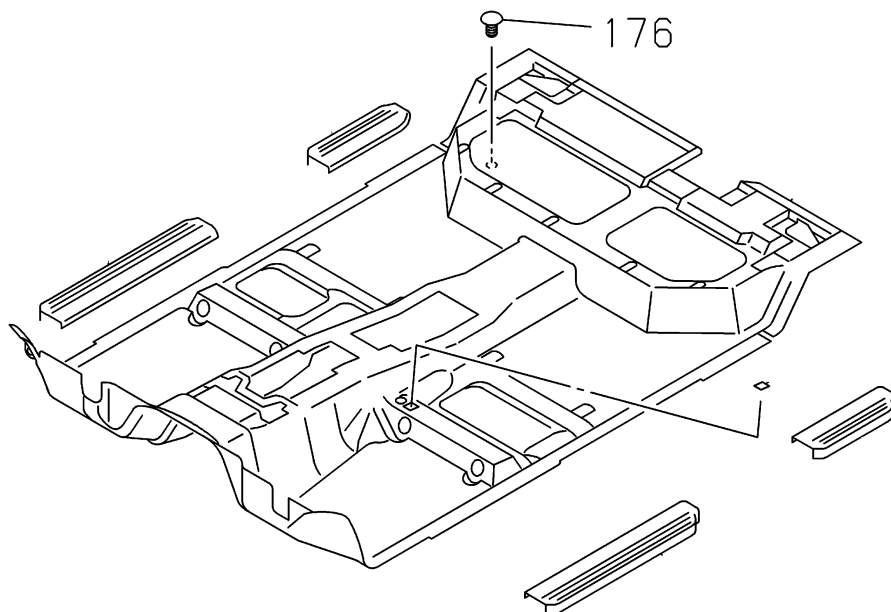
HD LINING



6-75

# MAT AND CARPET

FIG-NO.

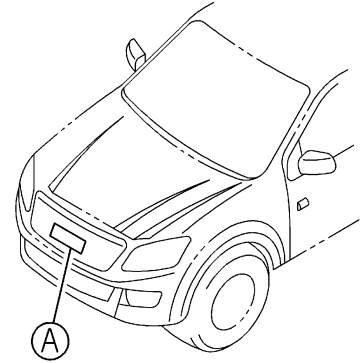
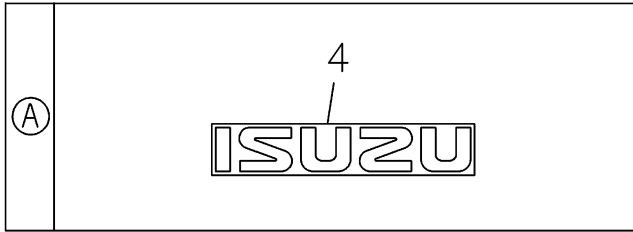


7-01

EMBLEM AND NAME PLATE

FIG-NO.

NO. 1

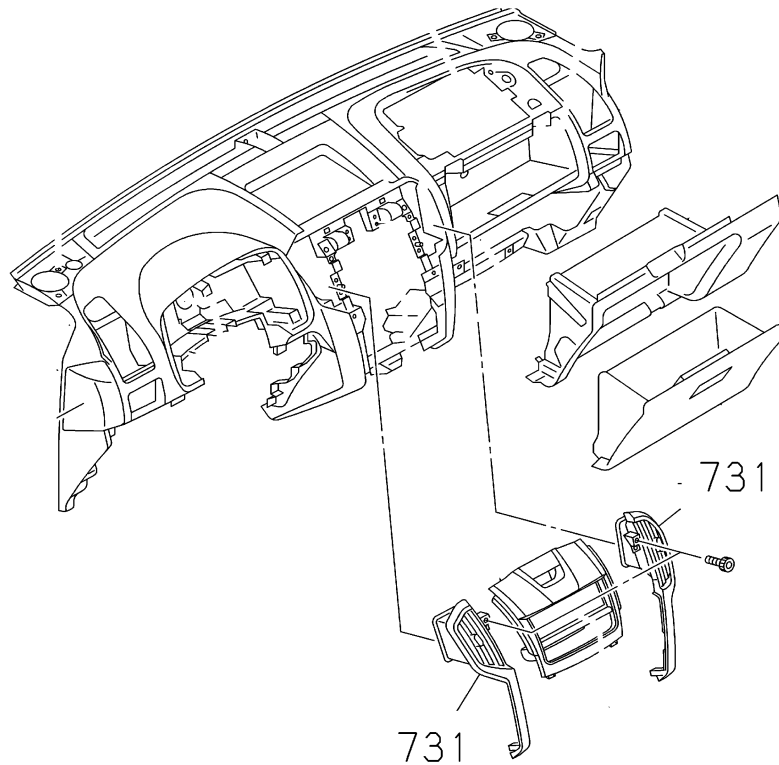


7-40

INSTRUMENT PANEL AND BOX

FIG-NO.

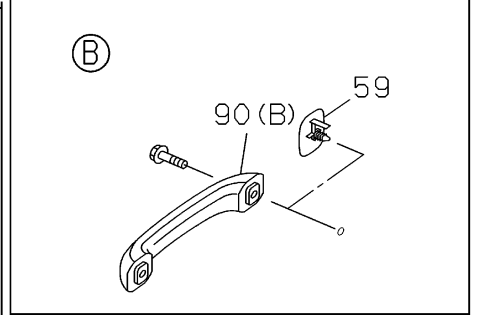
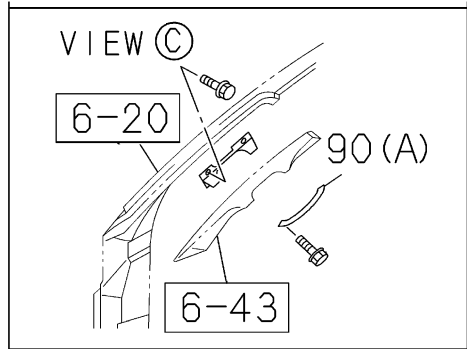
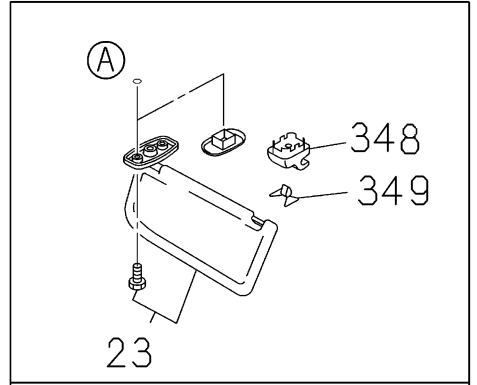
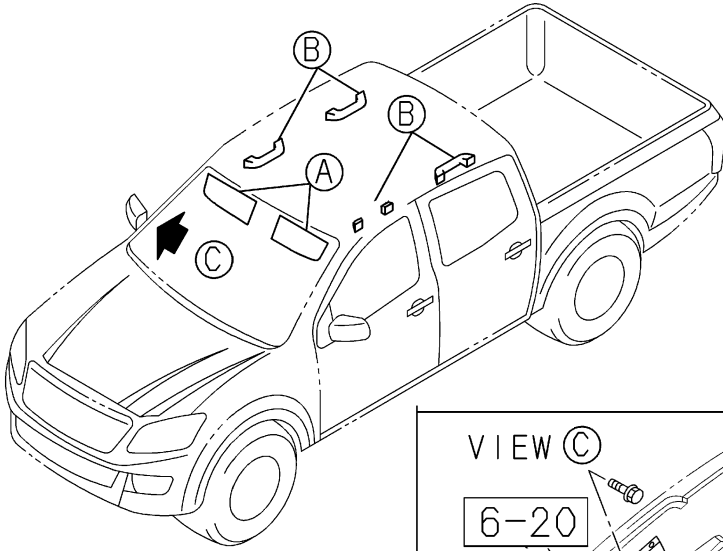
NO. 1



7-43

# SUN VISOR AND ASSIST GRIP

FIG-NO.

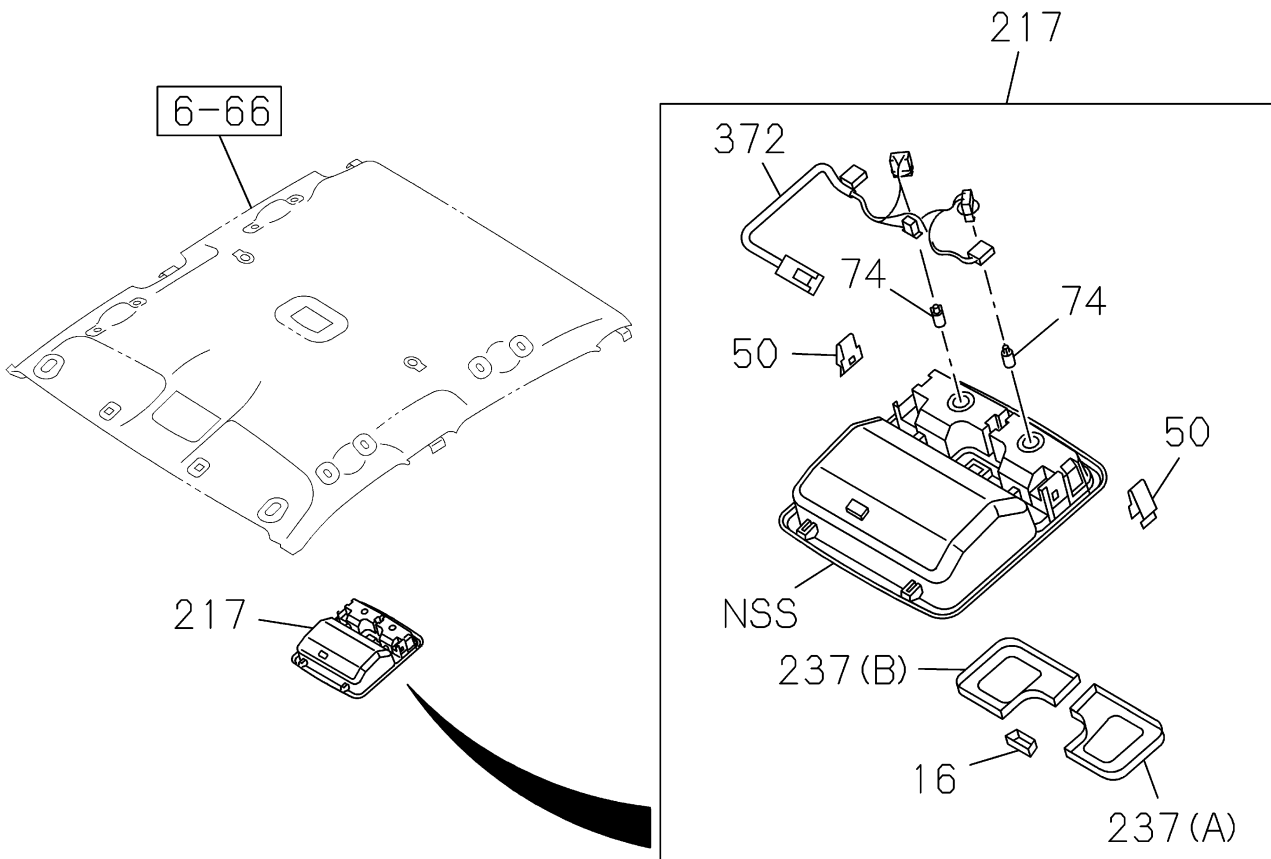
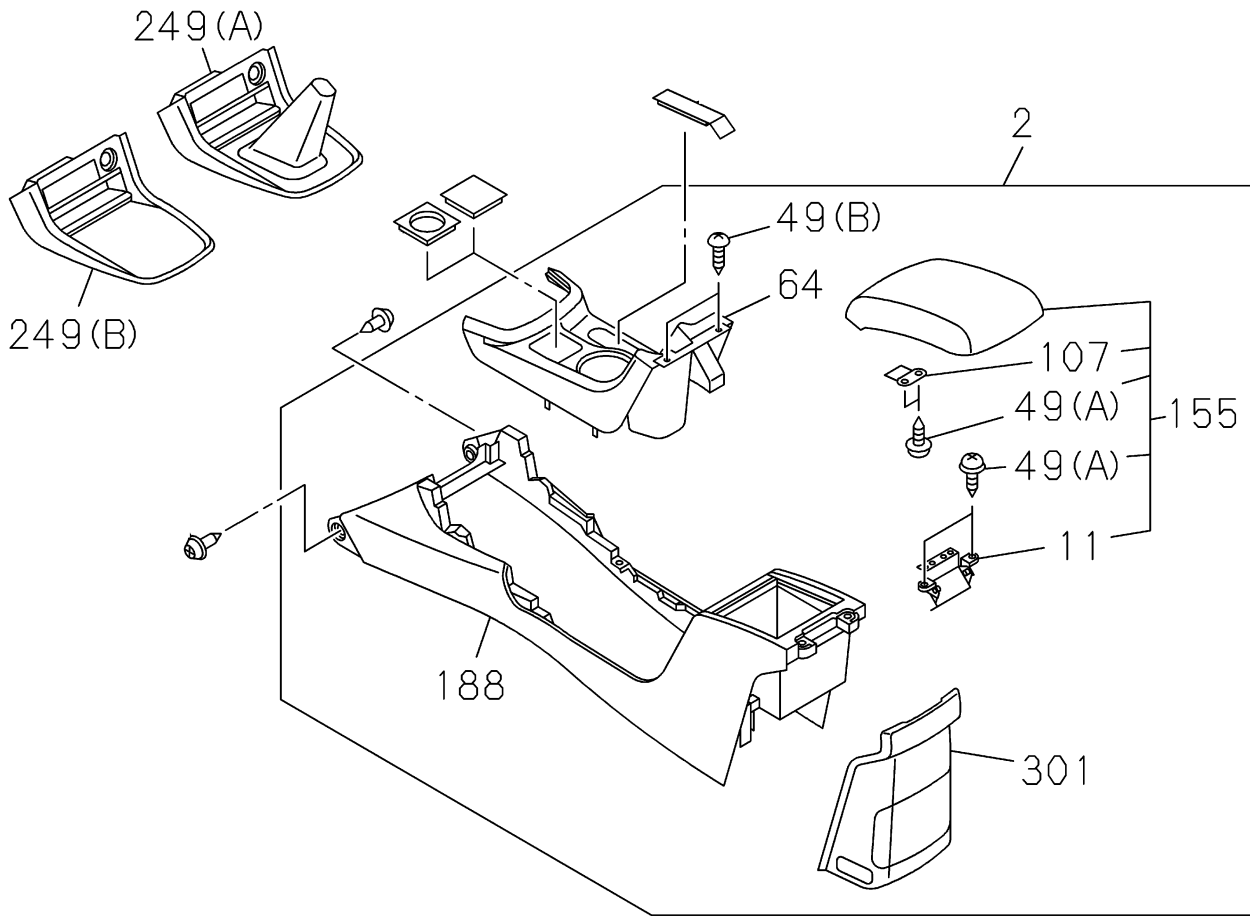


7-45

CONSOLE BOX

FIG-NO.

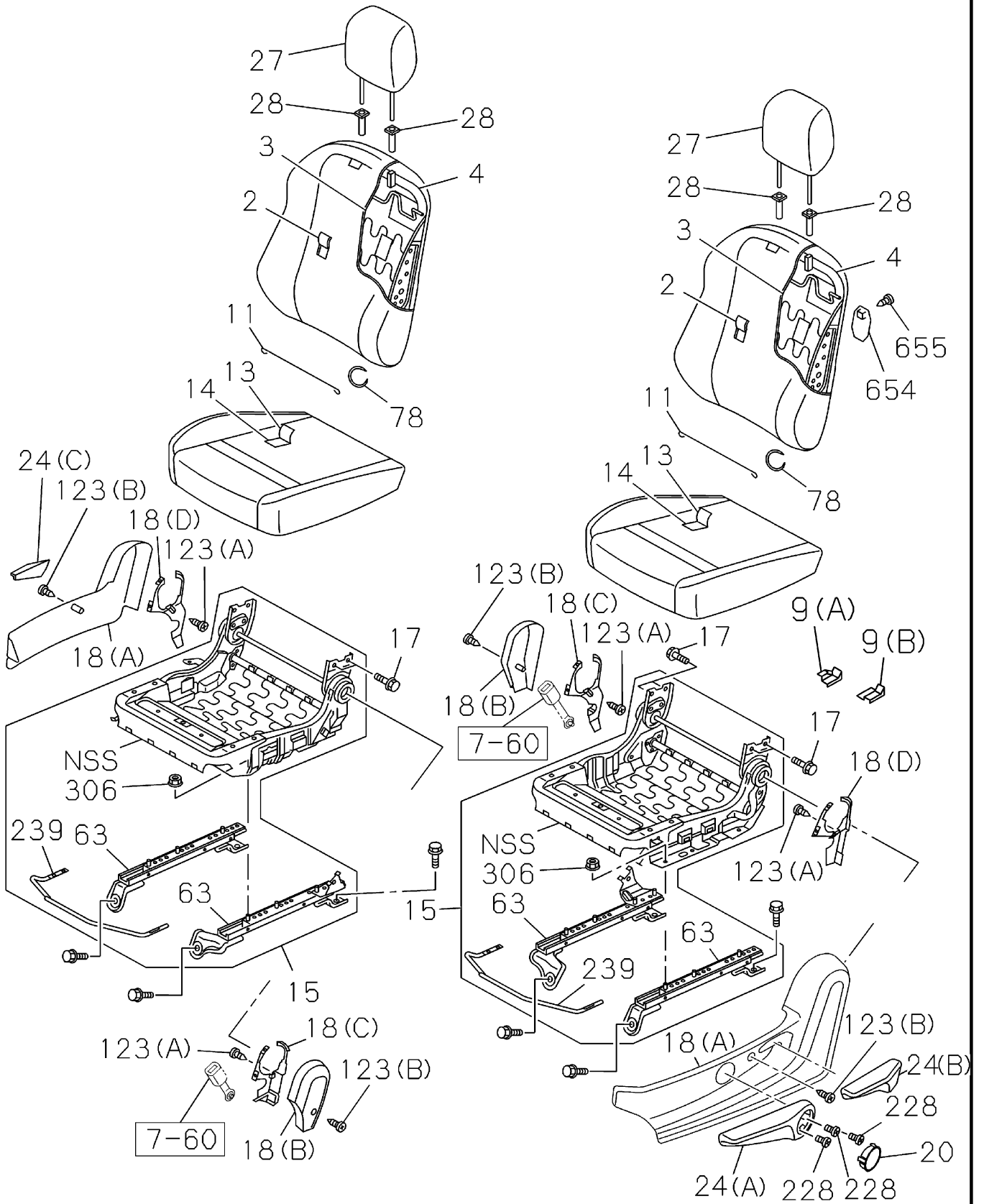
NO. 1



7-50

FRONT SEAT

FIG-NO.

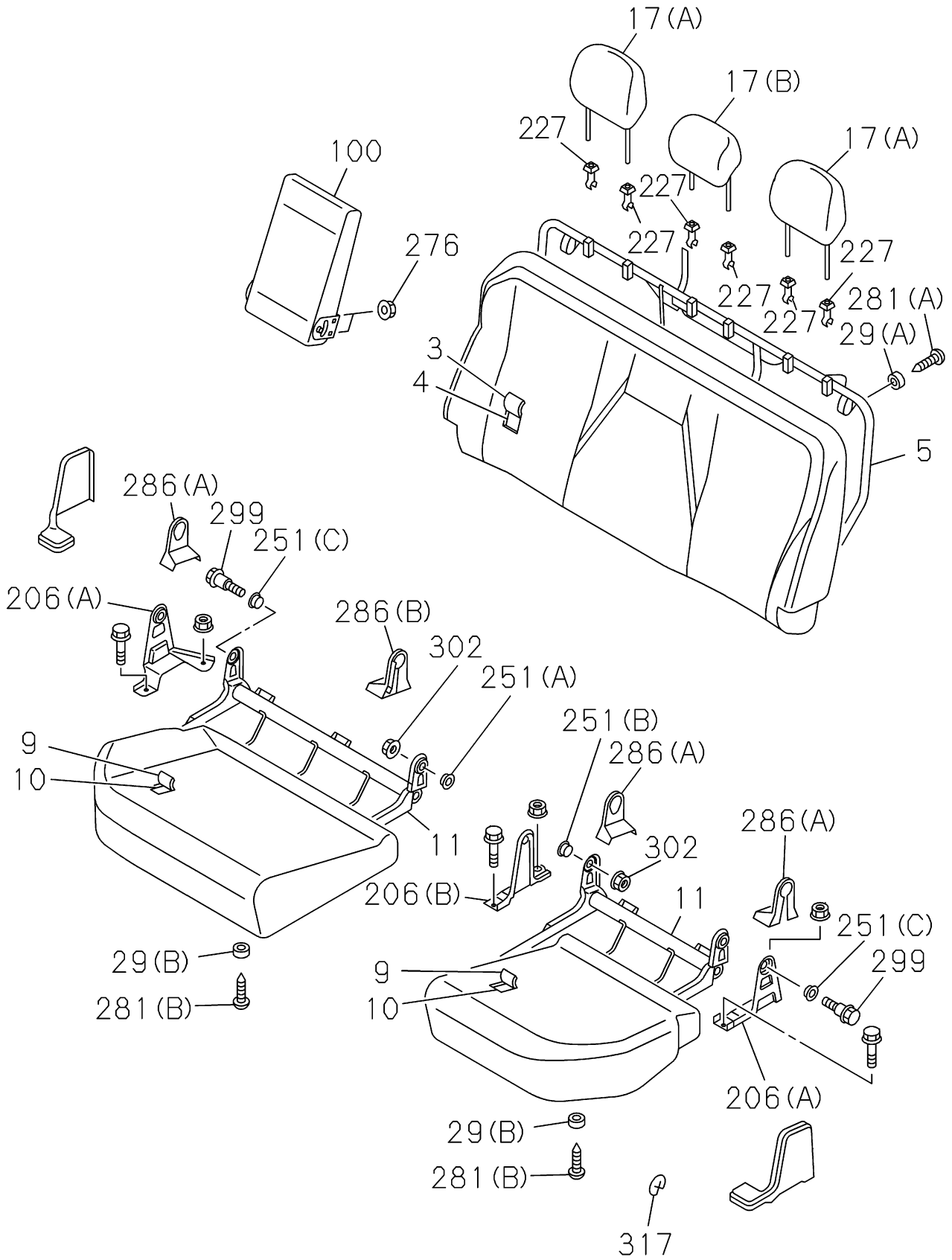


7-55

REAR SEAT

FIG-NO.

CREW CAB

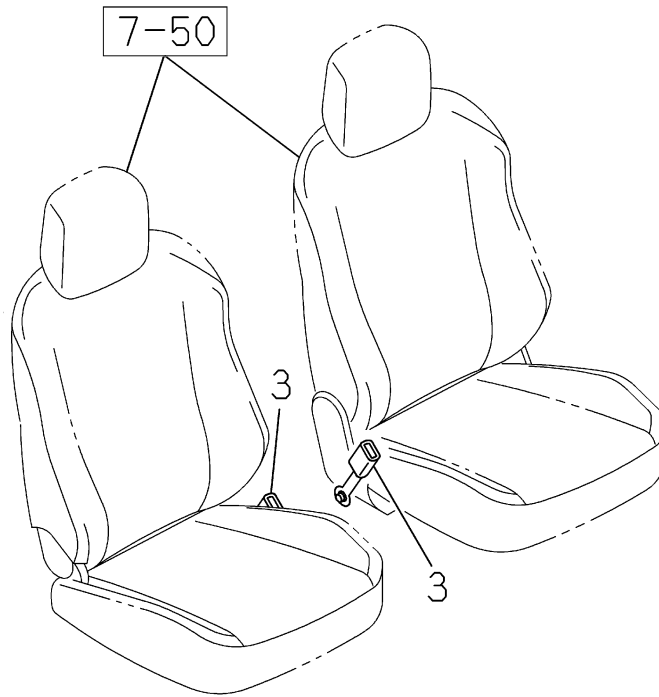


# 7-60

# SEAT BELT

FIG-NO.

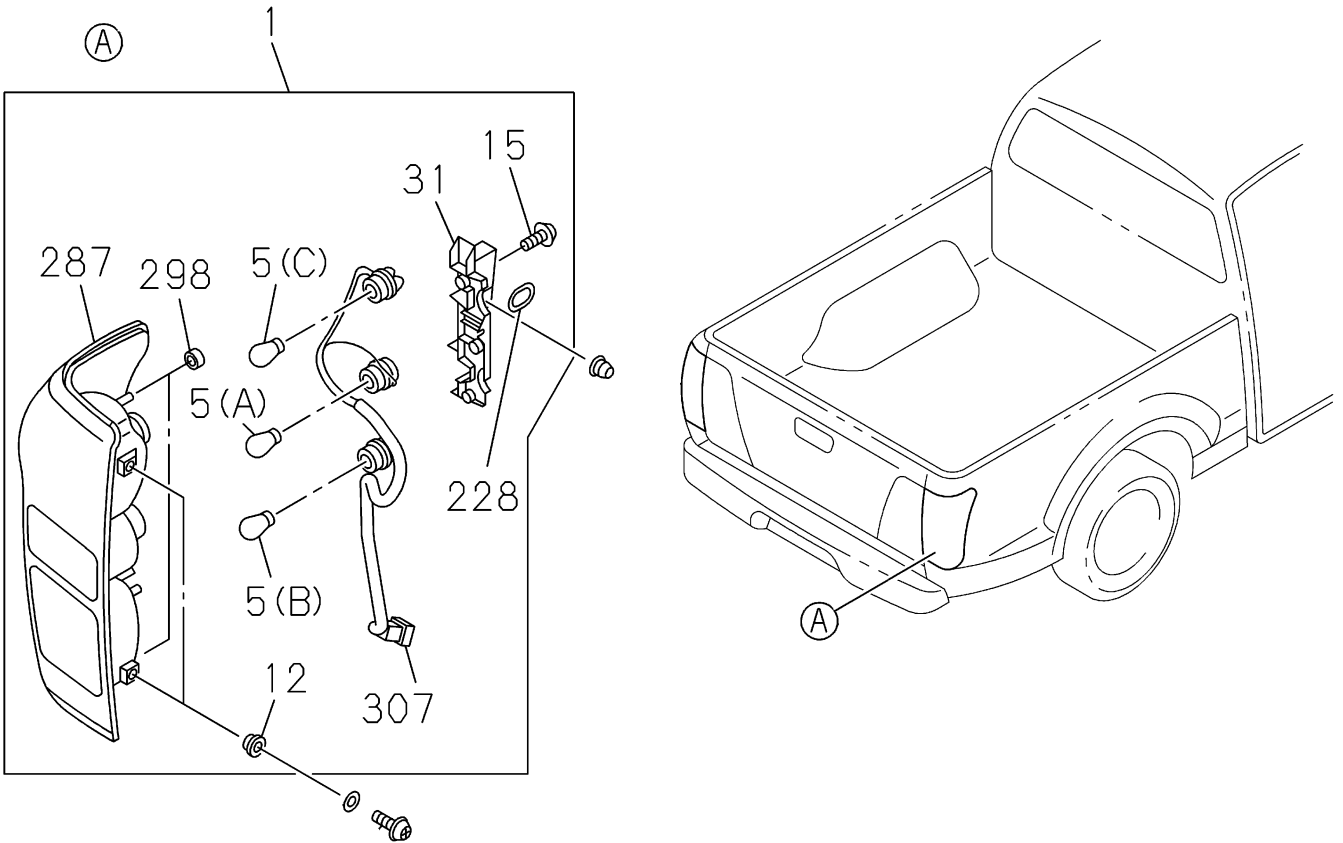
FRONT



# 8-03

# LAMP; REAR AND REAR SIDE

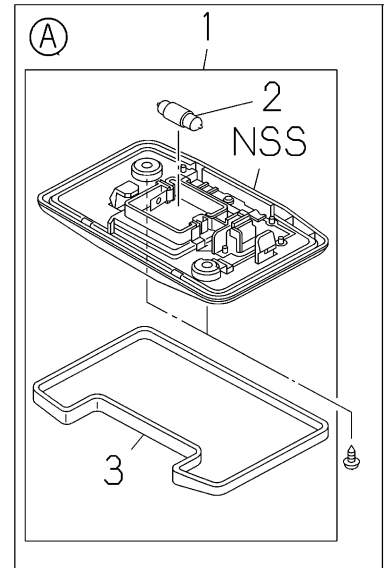
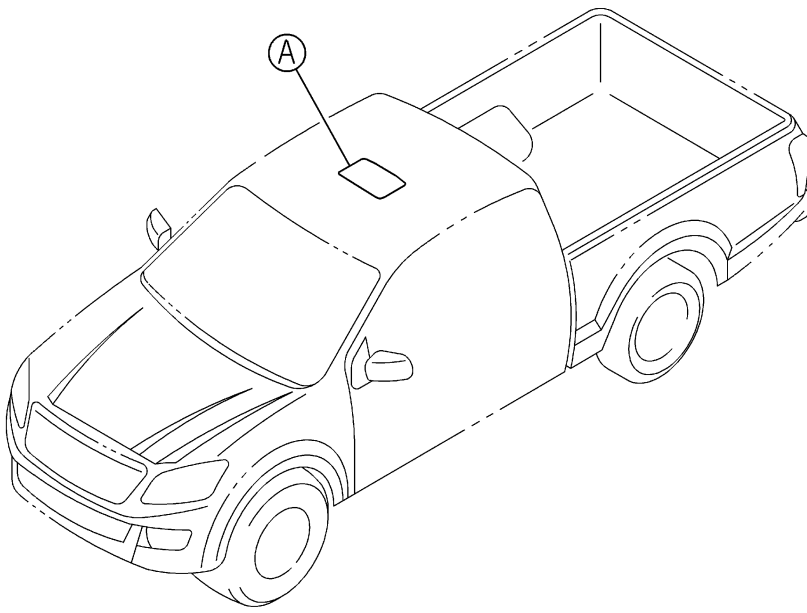
FIG-NO.



**8-05**

**INTERIOR LAMP**

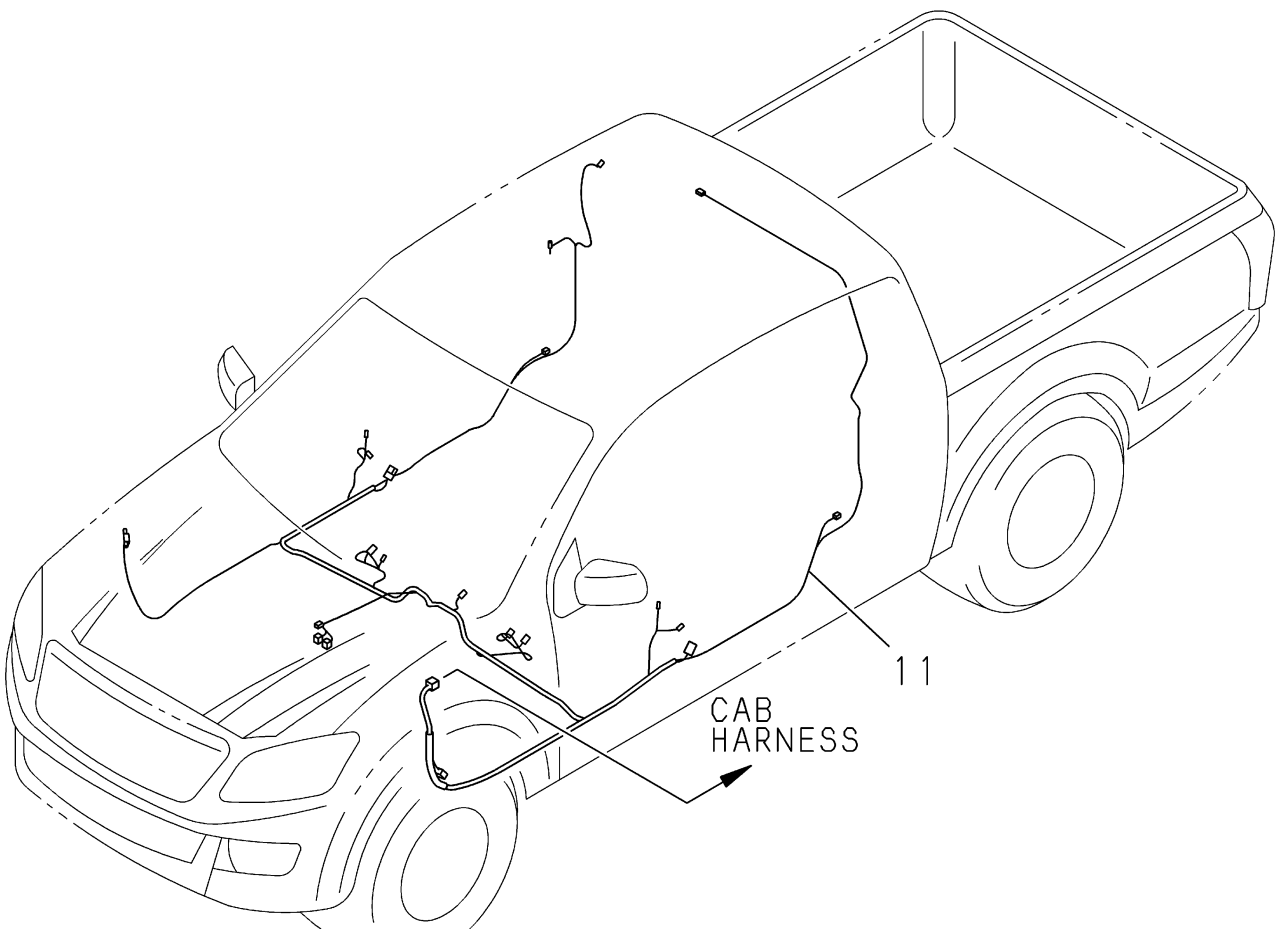
FIG-NO.



**8-10**

**WIRING HARNESS AND FUSE**

FIG-NO.





8-27

SUPPLEMENTAL INFLATABLE RESTRAINT SYSTEM

FIG-NO.

AIR BAG ; FRONT

